

MDP1

DIGITAL RIPPLE CONTROL RECEIVERS

The digital ripple control receiver **MDP1** is a family of low-cost high-performance devices. They have:

- programmable carrier frequency;
- operation in wide range of mains voltages;
- three independent output channels;
- direct and addressed reception.

RCR software EDIT and INFO provide user friendly programming of ripple control receiver **MDP1**.

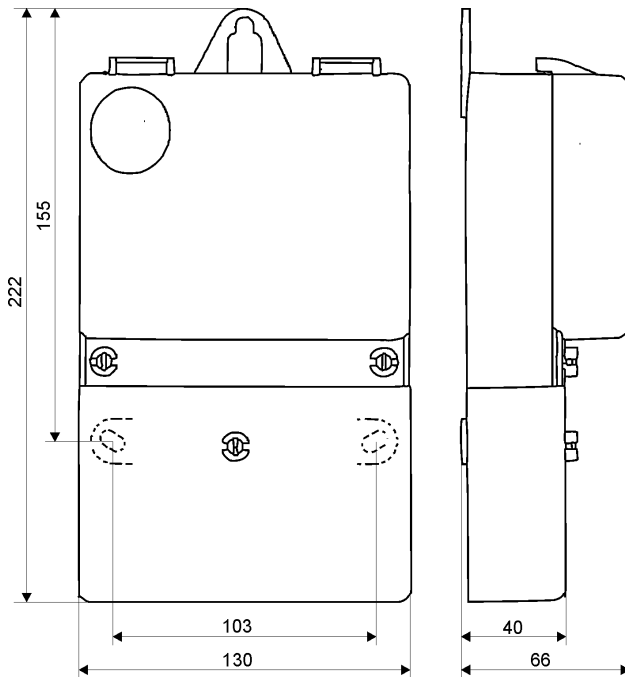
Ripple control is a well-known technique for remote control using audio-frequency signal superimposed on the mains voltage. **MDP1** is a family of Ripple Control Receivers (RCR) able to switch different energy consumers or control devices on high and low voltages.

MDP1 standard receiver is intended for general remote control applications.

Technical data

Receiver model	MDP1	Oversvoltage protection	7kV, 1.2/50 μ s
Mains voltage V_n	58/100V/230V (-30%,+15%)	Case test voltage	2kV, 50Hz, 1min
Mains frequency	50-60Hz (-2%,+1%)	Up to three bistable relays with change over contacts	250V, 20A, $\cos\phi=1$
Carrier frequency f_o	110Hz - 500Hz	Contacts mechanical life	10 ⁷ changes
Filter Q factor	>20	Impulse telegram	on request
Threshold voltage V_{op} adjustable	0.5% V_m - 0.9% V_n	Time delays programmable	1s to 24 hours
Nonoperative threshold voltage V_{on}	0.3% V_n	Operating temperature range	-25°C, +60°C
Consumption	< 3W	Ambient relative humidity	20%, 90%
		Weight	650 g

Assembling data



Ordering information

MDP1- 216,6-ABC-230V
 model carrier assembled operating
 frequency relays voltage

Operating voltage, impulse telegram and decoding system should be also specified. Additional data and price list are available upon request.

“ENEL” d.o.o. Beograd, Petrovaradinska 26, 11000 Beograd
 Phone: ++381 11 285 0 582, Fax: ++381 11 285 0 580
 e-mail: enel@EUnet.yu, <http://www.enel.co.yu>